

Chun-Ling Lin, Ph.D.

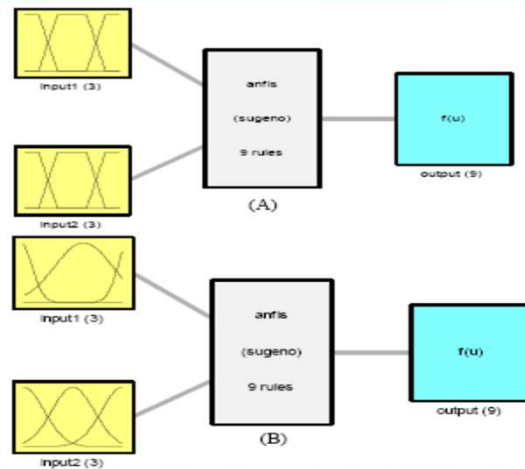
Position : Associate Professor

Phone : +886-2-2908-9899 Ext. 4819

E-Mail : ginnylin@mail.mcut.edu.tw

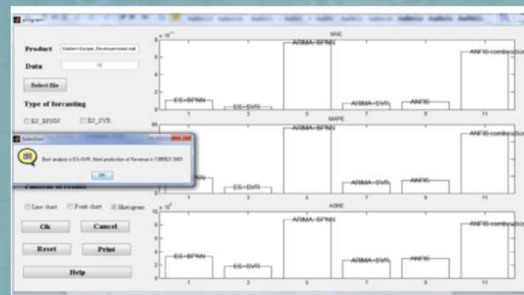
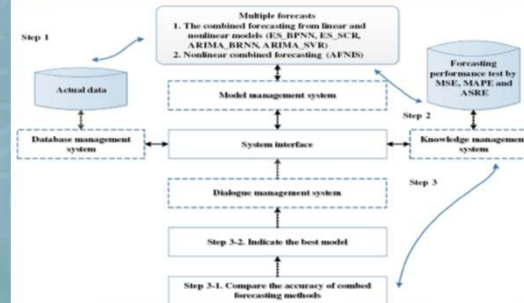
Education : Ph.D., National Chiao Tung University.

Research : Expert systems, Neural fuzzy systems, EG/ECG signal processing and Neuro-engineering.

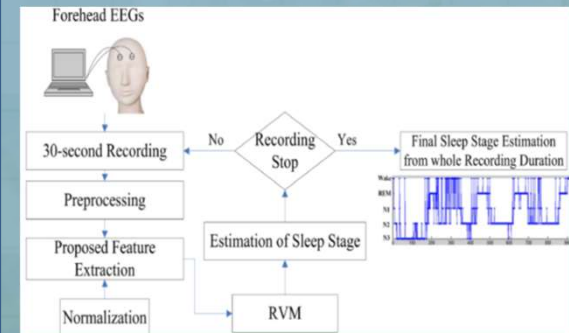


Membership functions	Accuracy (%)	Sensitivity (%)		
		Normal	Cold	Influenza
Trapezoidal	96.67	100	95.45	96
Gaussian	98.33	100	100	96

Influenza diagnostic System



Hybrid multi-model forecasting system



Expert manual scoring	Proposed Classification					Sensitivity (%)
	W	N1	N2	N3	REM	
W	1276	103	83	6	50	84.1
N1	187	243	392	6	256	22.4
N2	49	117	2652	196	105	85.0
N3	4	0	154	1117	8	87.1
REM	28	100	77	4	1038	83.2

Sleep stage classification system