



蔡文星

**Position : Associate Professor**

**Phone : +886-2-2908-9899 Ext.4817**

**E-Mail : [wst@mail.mcut.edu.tw](mailto:wst@mail.mcut.edu.tw)**

**Education : Ph.D., Mechanical and Electrical Engineering,  
National Taipei University of Technology.**

**Research : Optical communication systems, Fiber optical  
CATV systems, Hybrid DWDM systems,  
Radio-over-Fiber systems.**



Bit error rate test  
analyzer



Optical spectrum  
analyzer



Tunable laser source



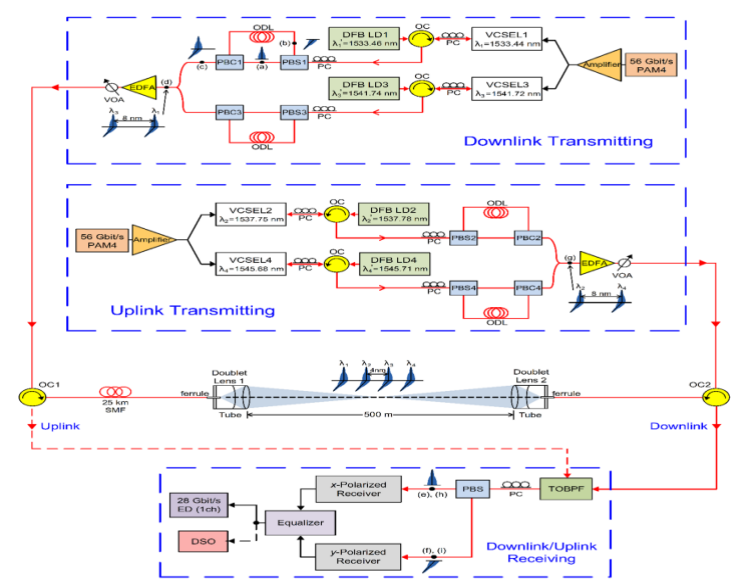
Electrical spectrum  
analyzer



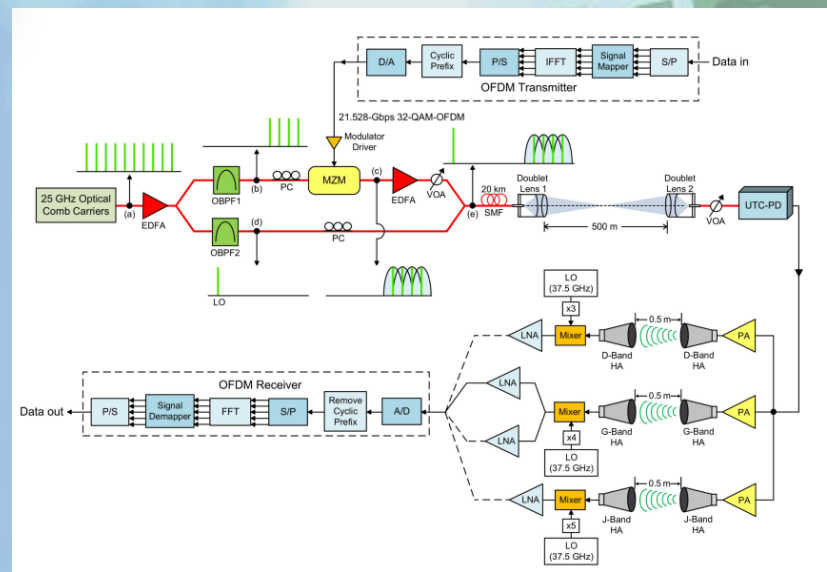
Microwave signal generator



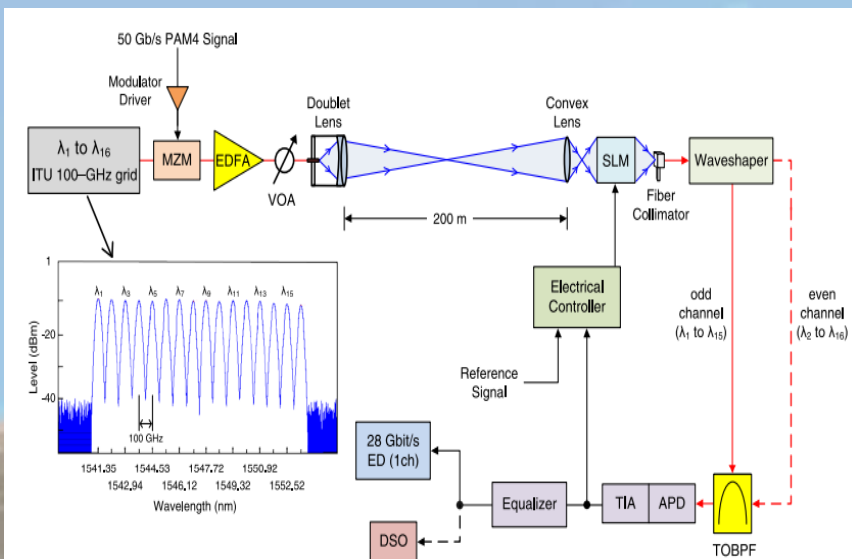
Communication  
Signal analyzer



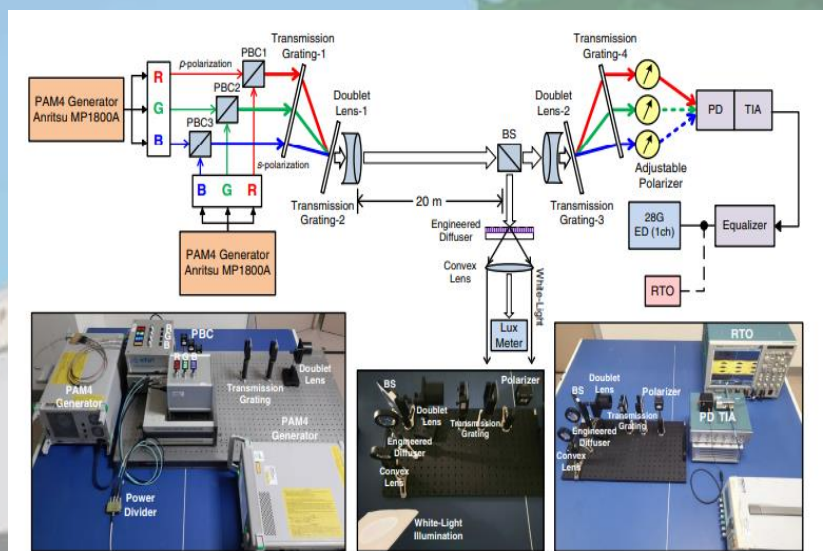
Polarization division multiplexing communication system



Radio-over-fiber communication system



Free space optical link communication system



Wavelength division multiplexing-Visible light communication system